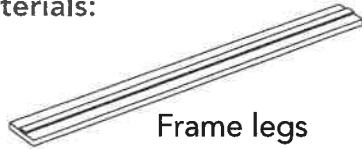


Installation Instructions for 45/60/90 Minute Fire-Rated Frames

FRX Series of Fire Rated Wood Door Frames meet the strictest of fire standards without compromising aesthetics. The ease of installing this frame is enhanced by a unique metal clip system. Proper installation of this door frame provides additional strength and integrity while concealing the intumescent material and fasteners. The system also allows for easy removal and re-installation without damaging the finished frame.

Materials:



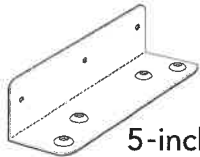
Frame legs



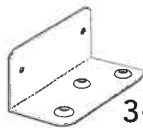
Frame header



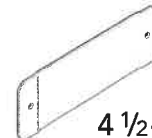
Intumescent material



5-inch angle clips



3-inch angle clips



4 1/2-inch receiver clips



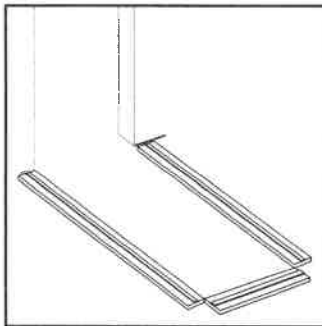
#6 3/4-inch wood screws



#12 1 1/4-inch screws

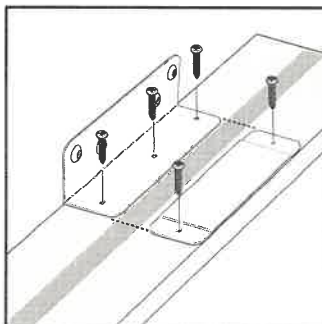


#8 2-inch wood screws



STEP 1

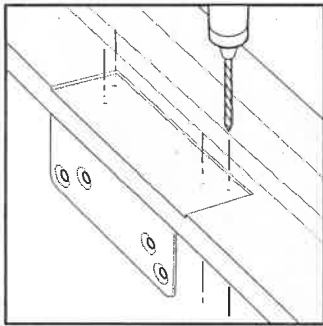
Measure the rough opening size and cut the frame pieces to desired length.



STEP 2

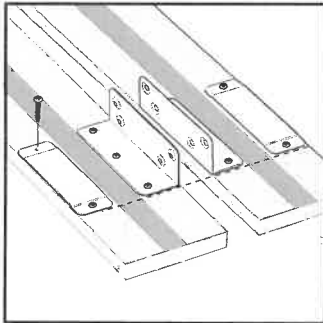
Using predrilled holes and #6 3/4-inch flat head wood screws, attach 5-inch angle clips to the hinge-side frame leg. Clips should be attached directly behind each hinge point, parallel to the intumescent strip, with the right angle of the clip flush with the edge of the frame leg.

Attach receiver clips in same manner on the non-door side of the frame leg, just opposite the angle clips.



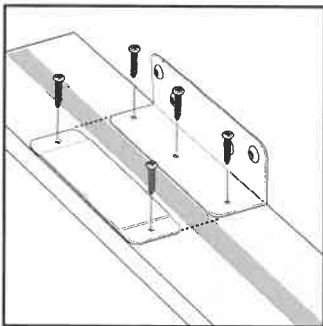
STEP 3

Once the clips are secured, the hinges can be attached. Pre-drill screw holes penetrating the metal clip on the opposite side of the frame leg. Attach hinges using #12 1/4-inch screws.



STEP 4

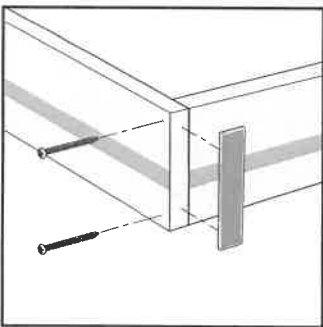
Repeat steps 2 and 3, on the latch side frame leg, making sure to avoid attaching a clip behind where the latch strike will be placed.



STEP 5

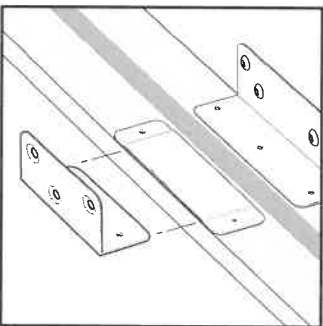
Attach clips to the header in a similar manner.

NOTE: If header is 36" or shorter, only one set of clips is required. For headers that are longer than 36", use two sets of clips, installed so that the distance between clips is equal to the distance between the clips and the ends of the header piece.



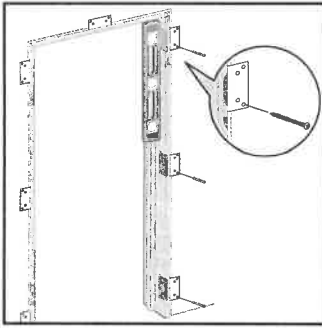
STEP 6

Using #8 2-inch wood screws, secure the header to the frame legs so that the ends of the header are flush with the outside edges of the frame legs. Pre-drill holes and use two screws on each end. Attach the supplied sticky back intumescent strip to the end of the header as shown on the diagram.



STEP 7

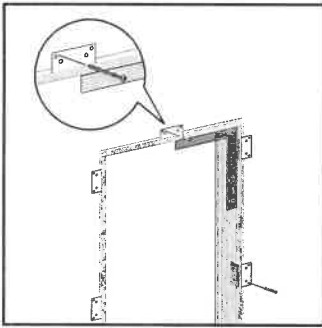
Slide the loose 3-inch angle clips into the receiver clips on both frame legs and the frame header.



STEP 8

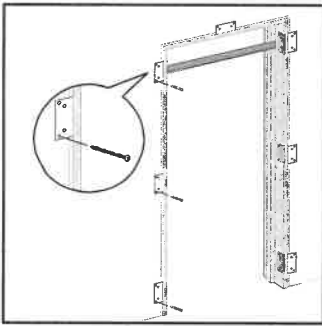
Once the frame is entirely assembled, remove the 3-inch angle clips from the receiver clips. Lift the frame and slide it into the rough opening so that the 5-inch angle clips are flush with the wall.

Once the frame is in the opening, level the hinge leg so that it is plumb. Always start with the hinge leg. Check for plumb at each bracket, insert a single 2-inch flat head wood screw to hold the leg in place and move on to the next bracket.



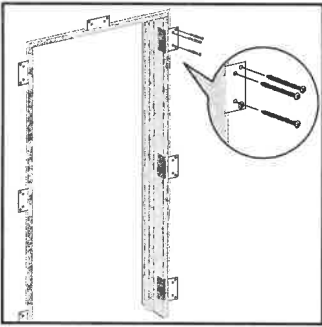
STEP 9

Secure the header in the same manner, making sure it is level and perpendicular to the hinge leg.



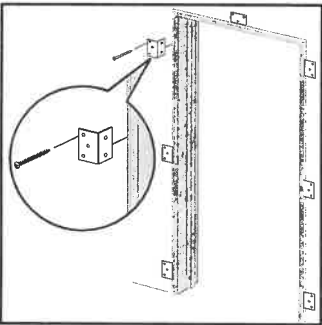
STEP 10

Plumb the strike leg using a spacer bar that has been cut to the exact length of the opening at the top of the frame, which allows for proper door movement. Use the spacer bar before securing each angle clip on the latch side.



STEP 11

Once the frame is in place and squared in the opening, insert screws in all remaining screw holes of the door-side angle clips.



STEP 12

After the frame is secured to the wall on the door side, insert the 3-inch angle clips into the receiver clips on the non-door side of the frame. When the clips are flush to the wall, secure them using two-inch flat head wood screws.

Now you are ready to hang the door and install perimeter casing. With the door and casing installed you will have a finished opening with no exposed fasteners.